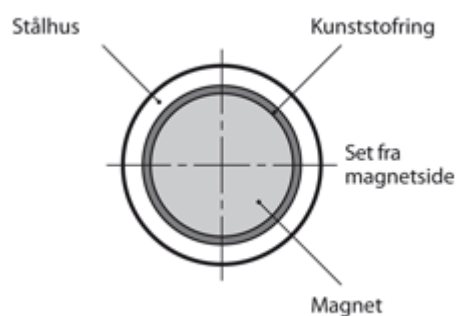


Article number: 201221386

Description: E+G Magnet - female thread GN 50.2-SC-10-M3  
SC Samarium cobalt, 200°C, 20N

## Measures



d1 = 10 ±0,1

d2 = M3x7

d3 = 6 ±0,1

h = 4,5 ±0,1

Holding force N = 20

Material = SC Samarium cobalt - 200° C

t = 6